

2 NO-COMPROMISE AIR CLEANERS

REMOVES UP TO 97% OF ALL PARTICLE POLLUTION

Nothing less would do, for we had decided that clean air should be a human right. Ventilation, air pumps or open windows are simply not enough to deal with indoor air pollution. And this kind of pollution is unfortunately a daily problem for more and more people.

SHORT CUT TO A CHANGE OF AIR

The ultimate filter is the electrostatic filter that removes 97% of particle pollution in the air. This electronic air cleaner has a tremendous air throughput which really helps in places where the amount of pollution is very high. It can get rid of tobacco smoke and dust particles in record time. The electronic air cleaner also has a carbon filter that blocks the smell of tobacco smoke as well as harmful vapours.

WHERE TO USE

Electrostatic air cleaning is well-suited to office environments with modern business machines, smoking areas, kitchens, lunchrooms, cafeterias, restaurants, and wherever a lot of people may gather: e.g. waiting rooms and conference rooms.

EXCELLENT CIRCULATION

Thanks to the air cleaner's special air circulation, all the air in the room gets purified, right into the corners - and the effect is also noticeable in adjoining rooms.

ALMOST SILENT

Despite its effectiveness, the OptimAir air cleaner is almost silent. The noise level is similar to a desktop computer and its power consumption is 40W. Every model can be mounted on the wall wherever convenient and will create perfect air circulation.

NO DAILY MAINTENANCE

The air cleaner requires no daily maintenance.

- The electrostatic filter needs cleaning about once a month in the case of tobacco smoke or every second month in an office environment
- Very low operational costs
- The carbon filter needs replacing once a year

We offer a service agreement so you have no worries about maintenance. The service agreement also gives you a total guarantee.

A COMPLETELY DANISH PRODUCT

Apart from the electrostatic filter, which is made by Honeywell in the USA, every OptimAir air cleaner is as Danish as can be. All the parts are produced in Denmark, where the air cleaners are also assembled and packed. They are manufactured from wood and metal in an environmentally-friendly way.



OPTIMAIR 180

OptimAir's air cleaner can be mounted on the wall wherever convenient and creates perfect air circulation



OptimAirUK - T: 0870 330 3620 - F: 0870 330 3621
UK Office - 10 Earl Road - London - SW14 7JH - UK
info@optimair-uk.com - www.optimair-uk.com

SPECIFICATIONS

MODEL Optim 180

Dimensions

Height 470 mm
Width 660 mm
Depth 220 mm
Noise level 18-22 db
Weight 17 kg
Power consumption 35-45w
Wall-mounted

Electronic filter with active carbon

Capacity max. 450 cu.m/h
Electrostatic filter
Active carbon filter
Elimination 97%
No drop in pressure
Particle size min.1/100,000mm
Wash electrofilter once every 30-60 days
Replace carbon filter once a year.

MODEL Optim 160

Dimensions

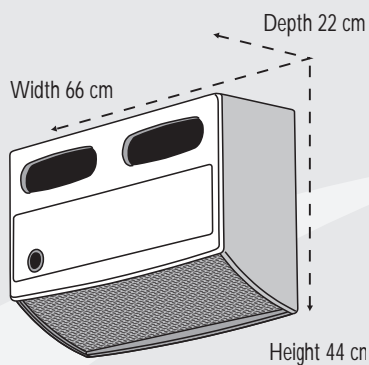
Height 420 mm
Width 550 mm
Depth 200 mm
Noise level 18-22 db
Weight 12 kg
Power consumption 35-45w
Wall-mounted

Electronic filter with active carbon

Capacity max. 300 cu.m/h
Electrostatic filter
Active carbon filter
Elimination 97%
No drop in pressure
Particle size min.1/100,000mm
Wash electrofilter once every 30-60 days
Replace carbon filter once a year.

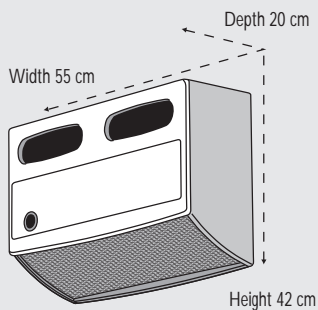
MODEL Optim 180

Dimensions

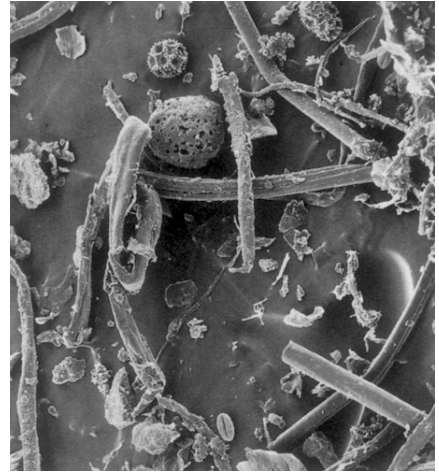


MODEL Optim 160

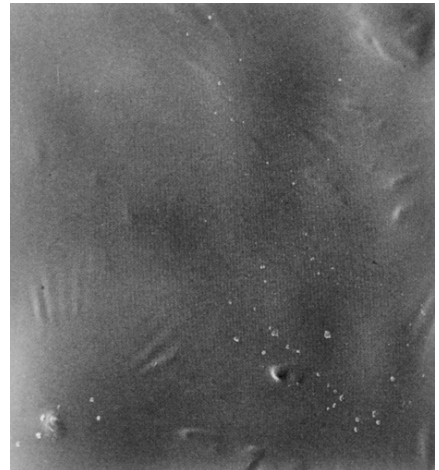
Dimensions



OptimAir's air cleaner is based on Honeywell's popular and world-famous electronic filter.



1 my enlarged 10,000 times.
Before cleaning.



1 my enlarged 10,000 times.
After cleaning.

OptimAir
www.luftreenser.dk

OptimAirUK - T: 0870 330 3620 - F: 0870 330 3621
UK Office - 10 Earl Road - London - SW14 7JH - UK
info@optimair-uk.com - www.optimair-uk.com